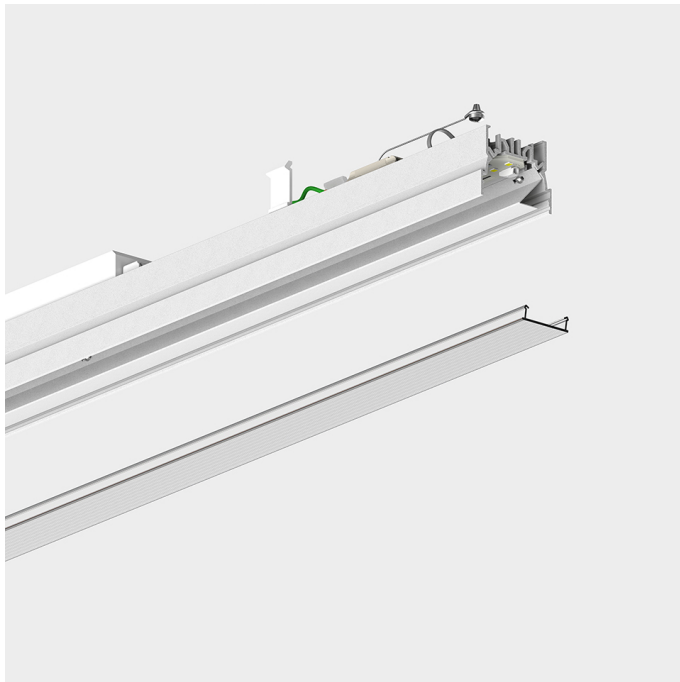
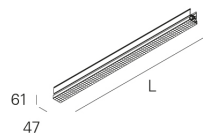
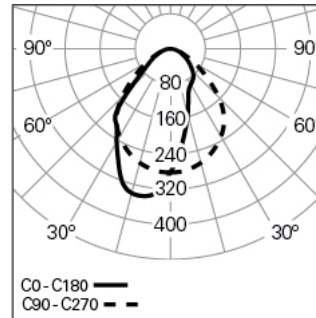


REBA 50 INT L1402 ASYM DALI K3 840 HO
ALUMINIUM PROFILE SYSTEMS

90500L005HW3000



Light distribution



L=1400mm

PRODUCT DESCRIPTION

Application Areas: Offices, Hotels and residential, Public spaces, Retail, Education, Health and care
Mounting Type: Surface mounted, Suspended
Control Gear Included: No

REBA 50 INT L1402 ASYM DALI K3 840 HO

CHARACTERISTICS

Luminaire Type: Straight line luminaire
Luminaire Module: Individual, Middle (MID), Start / End (SRT/END)
Insulation Class: I
Ingress Protection (IP): 40
Ambient Temperature Range (°C):]5, 25[
Warranty (Years): 5
Current Supply Cable Entry Point: Back

MATERIALS

Body Material: Extruded aluminium profile
Finishing: Epoxy polyester powder coated
Colour: White (W)
Glow-wire Resistance (°C): 850

OPTICAL SYSTEM

Optical System: ASYM - Asymmetric diffuser
Light Distribution: Direct
Beam Angle (°): 55

TECHNICAL DATA

Light Source: LED
Input Power (W): 40

Input Driver Voltage: 220-240V-50/60Hz

Power Factor (λ): 0,97

Luminaire Luminous Flux (lm): 3491

Luminaire Efficacy (lm/W): 87

Emergency Unit: 3

Unified Glare Rating (UGR): <22

LED Lifetime - Rated Median Useful Life: 80.000h @ L90, B10, Ta 25°C

CCT - Correlated Colour Temperature (K): 4000

Photobiological safety according to IEC 62471: Not Available

Colour Rendering Index (CRI): >80

Chromaticity Tolerance (MacAdam step): <3

LED Module Forward Voltage Range (VF): 33,1

Power Supply Dimming: DALI 2

Maximum of Luminaires by Magnetic Circuit Breaker B16: <34

Inrush Current (A): 18

Pulse Duration (µs): 180

DIMENSIONS

L - Length (mm): 1400

W - Width (mm): 47

H - Height (mm): 64

Net Weight (kg): 2.45

NOTES

- To complete the product it is necessary to order the inner profile separately;
- For suspended version it is necessary to order the suspension, the current supply cable and the ceiling rose. Please order separately.