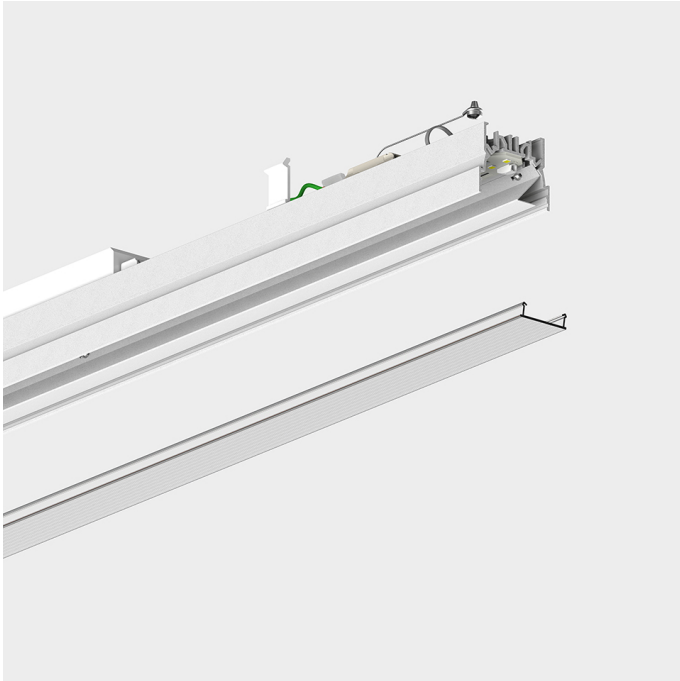
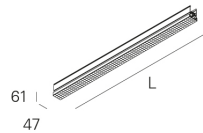
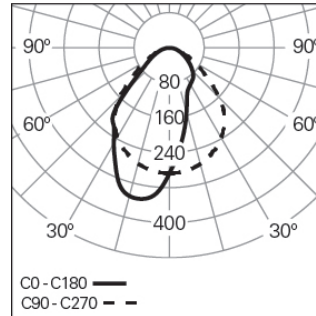


REBA 50 EVO INT L2804 ASYM DALI K3 830
ALUMINIUM PROFILE SYSTEMS

90603L010HW3300



Light distribution



L=2800mm

PRODUCT DESCRIPTION

Application Areas: Offices, Hotels and residential, Public spaces, Retail, Education, Health and care
Mounting Type: Surface mounted, Suspended
Control Gear Included: No

REBA 50 EVO INT L2804 ASYM DALI K3 830

CHARACTERISTICS

Luminaire Type: Straight line luminaire
Luminaire Module: Individual, Middle (MID), Start / End (SRT/END)
Insulation Class: I
Ingress Protection (IP): 40
Ambient Temperature Range (°C):]5, 25[
Warranty (Years): 5
Current Supply Cable Entry Point: Back

MATERIALS

Body Material: Extruded aluminium profile
Finishing: Epoxy polyester powder coated
Colour: White (W)
Glow-wire Resistance (°C): 850

OPTICAL SYSTEM

Optical System: ASYM - Asymmetric diffuser
Light Distribution: Direct
Beam Angle (°): 55

TECHNICAL DATA

Light Source: LED
Input Power (W): 56

Input Driver Voltage: 220-240V-50/60Hz
Power Factor (λ): 0,94
Luminaire Luminous Flux (lm): 4622
Luminaire Efficacy (lm/W): 83
Emergency Unit: 3
Unified Glare Rating (UGR): <22
LED Lifetime - Rated Median Useful Life: 80.000h @ L90, B10, Ta 25°C
CCT - Correlated Colour Temperature (K): 3000
Colour Rendering Index (CRI): >80
Chromaticity Tolerance (MacAdam step): <3
This Product Contains a Light Source of Energy Efficiency Class: C
LED Module Forward Voltage Range (VF): 32,7
Power Supply Dimming: DALI 2
Maximum of Luminaires by Magnetic Circuit Breaker B16: <53
Inrush Current (A): 20
Pulse Duration (µs): 139

DIMENSIONS

L - Length (mm): 2800
W - Width (mm): 47
H - Height (mm): 64
Net Weight (kg): 4.37

NOTES

- To complete the product it is necessary to order the inner profile separately;
- For suspended version it is necessary to order the suspension, the current supply cable and the ceiling rose. Please order separately.